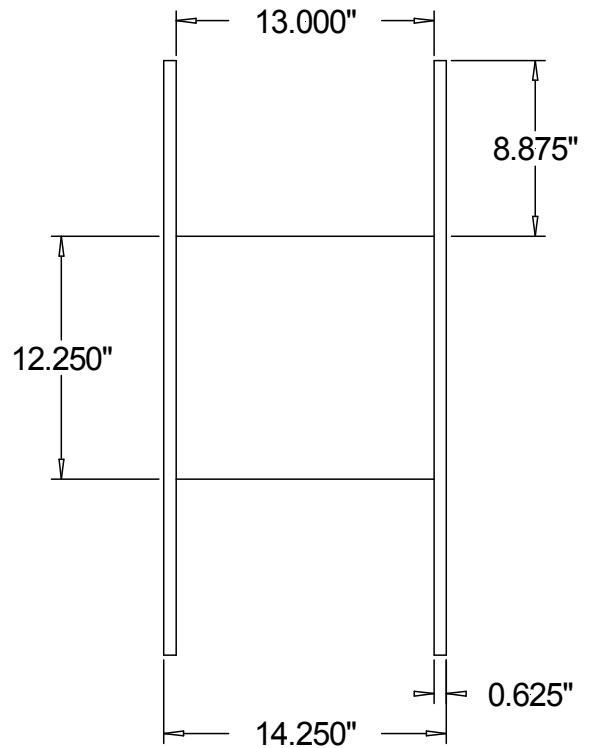
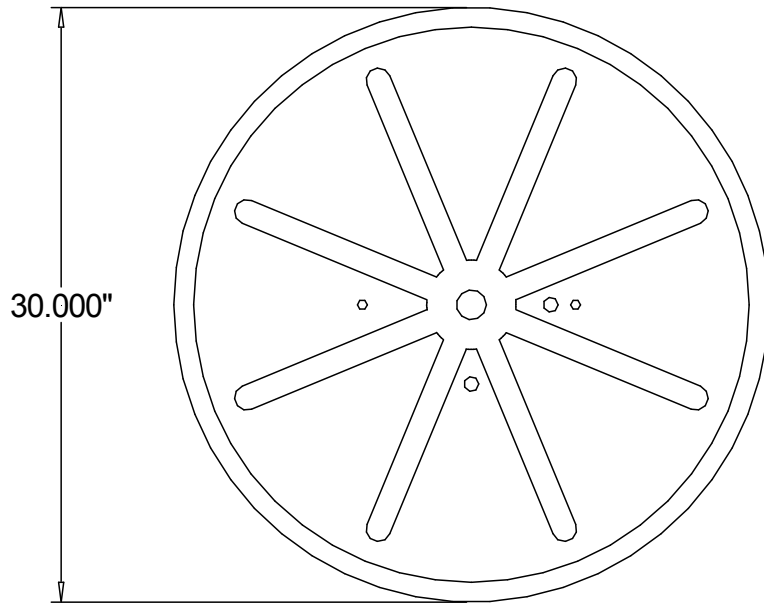


30 IN. STEEL REEL **13 IN. WIDTH**

Spooling & Packaging Catalog



Specifications

Part No. : X9612030

Color : Assorted

Barrel Material : Steel

Flange Material : Steel

Tare Weight : 90.0 lb.

Barrel Circum. : 38.5 in.

Arbor : 1.5 in.

Wire Capacity : 1200 lb.

